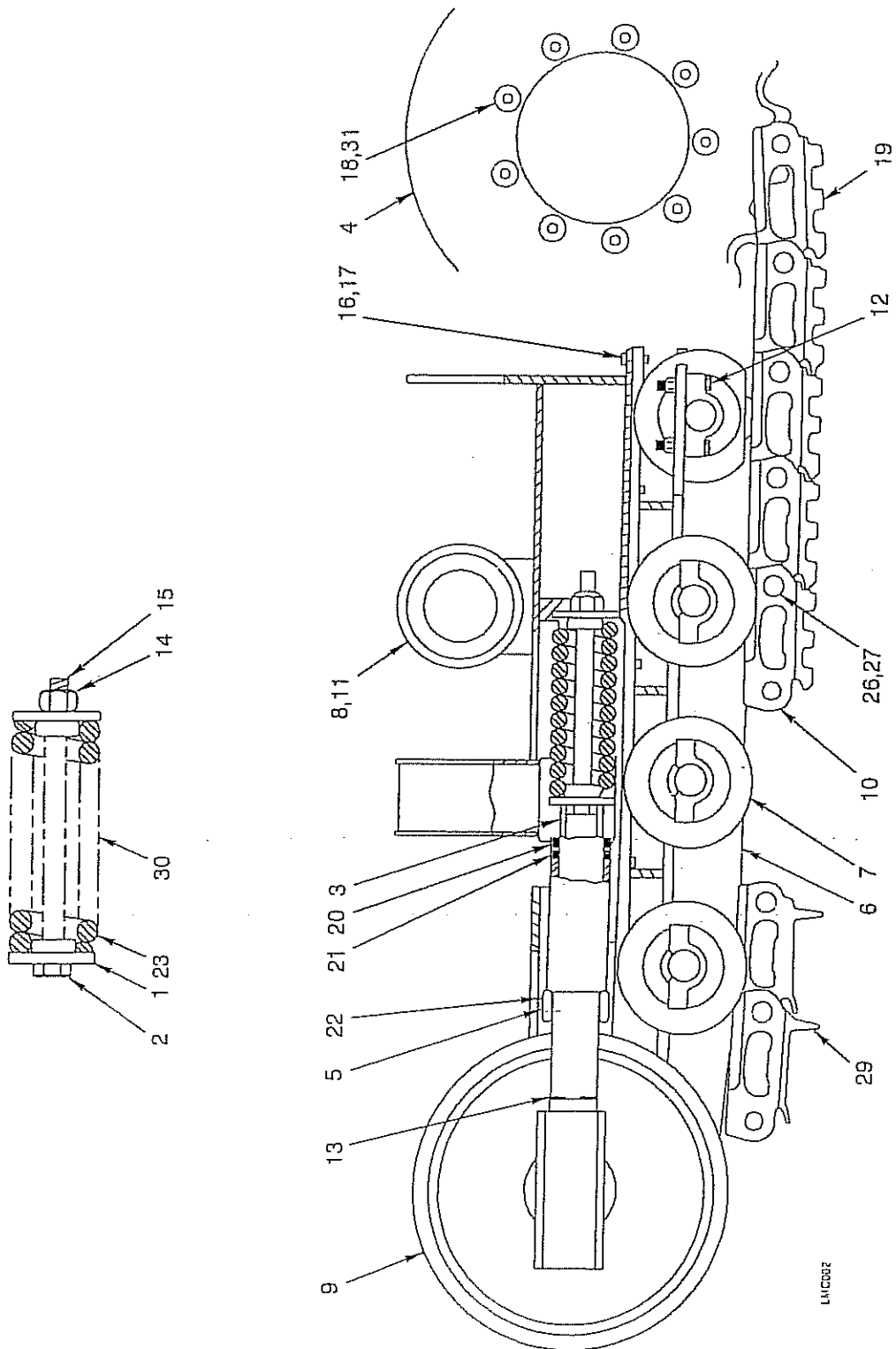


UNDERCARRIAGE



L11C002



UNDERCARRIAGE

ITEM	NOTES	PART NUMBER	QTY	DESCRIPTION
				Undercarriage
1		580735	4	Guide
2		580736	2	Bolt
3		587098	2	Piston
4		7371	2	Sprocket
5		580753	2	Yoke (Standard)
		589134	2	Yoke (Slope Track)
6		589060	2	Track Frame (Standard)
		589133	2	Track Frame (Slope Track)
7		585295	10	Roller
8		585296	2	Top Roller
9		585297	2	Idler Assembly
10		585298	2	Track Assembly (32Pitch) Triple Grouser
		7376	2	Track Assembly (33Pitch) 280 mm Single Grouser (Optional)
		7361	2	Track Assembly (33Pitch) 450 mm Single Grouser (Optional)
		7374	2	Track Assembly (33Pitch) Rubber Pad (Optional)
11		588105	4	Allen Head Capscrew
12		587166	40	Capscrew, 7/16-14 x 2 GR8
13		588106	8	Allen Head Capscrew, 10 mm x 1.25 x 25
14		580762	2	Nut, 3/4-10 Castle
15		588107	2	Roll Pin
16		589068	28	Capscrew, 7/16-14 x 1 GR8 HHCS
17		589072	28	SAE Washer, 7/16
18		7353	32	Capscrew, 16 mm x 2.0 x 45 SOC HD
19		585302	64	Triple Grouser
20		585323	2	Rod Wiper
21		588104	2	Seal
22		585325	2	Grease Fitting H.D. (Track Adjust)
23		585322	2	Spring
24		585342	256	Bolt
25		585343	256	Nut
26		585340	4	Spacer
27		585339	2	Master Pin
28		580741	2	Cap
29		588061	66	Single Grouser, 450 mm (Optional)
		585303	66	Single Grouser, 280 mm (Optional)
30		7352	2	Spring Assembly
31		7203	32	Wedge Washer, 16 mm