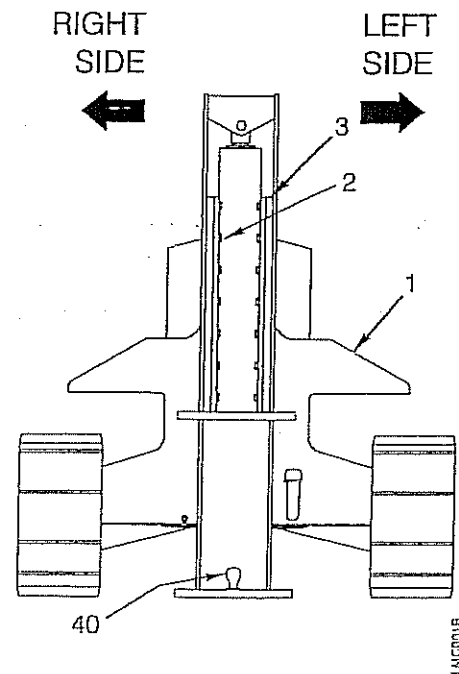
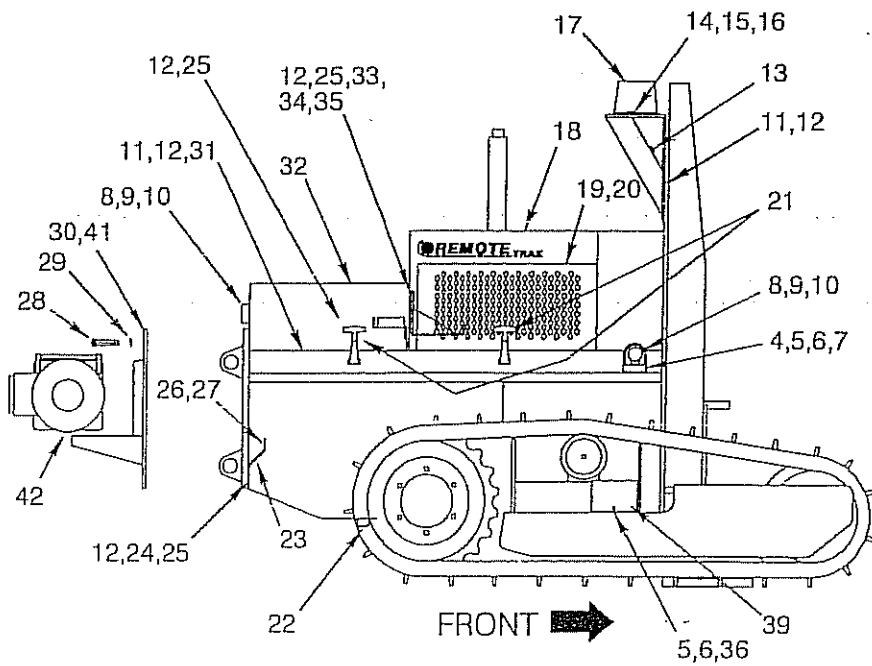
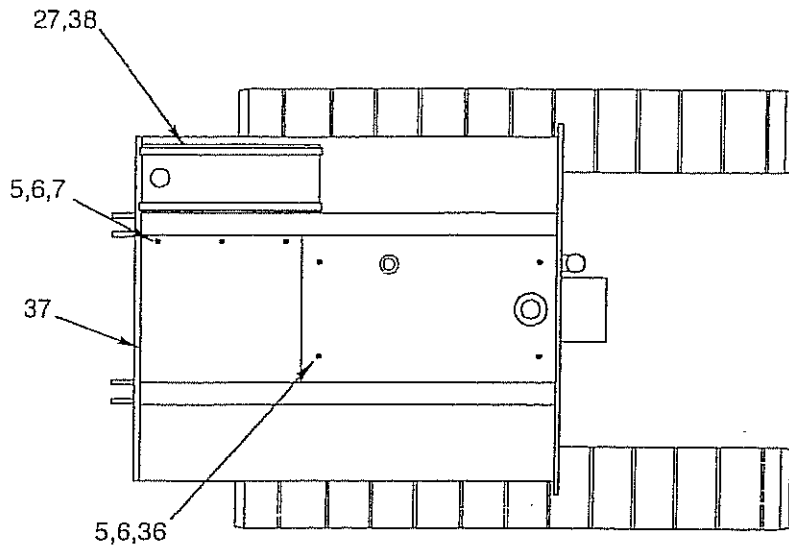


FINAL ASSEMBLY





FINAL ASSEMBLY

ITEM	NOTES	PART NUMBER	QTY	DESCRIPTION
				<b>Final Assembly</b>
1		589000	1	Frame
2		400286	22	Bolt, 5/8-11 x 1-3/4 GR5 HCS
3		587097L	1	Guide Bar, Left Hand
		587097R	1	Guide Bar, Right Hand
4		587103	2	Bracket, Emergency Shut Off
5		500562	19	Bolt, 1/4-20 x 3/4 GR5 HCS
6		500071	19	Lockwasher, 1/4
7		500070	7	Nut, 1/4-20
8		587050	3	Switch, Emergency Shut Off
9		500136	6	Bolt
10		606631	6	Nut, 10-32
11		500003	10	Bolt, 3/8-16 x 3/4 HCS
12		500056	17	Lockwasher, 3/8
13		587033	1	Bracket
14		G23-10245	3	Bolt, 10-32 x 5/16 RND HD MS
15		M25-10	3	Lockwasher, #10
16		K32-11	3	Nut, 10-32
17		587135	1	Light
		7144	1	. Bulb, Replacement
18		589023	1	Hood
19		587048	1	Panel, Left
20		587039	1	Panel, Right
21		587088	3	Latch
22		587163	1	Plug, Oil Drain, 3/4 Flush
23		7265	1	Bracket
24		7319	2	Bolt, 3/8-16 x 2 FHCS
25		500012	7	Nut, 3/8-16
26		500286	1	Capscrew, 5/8-11 x 1-3/4 HCS
27		500056	5	Lockwasher, 3/8
28		500225	14	Bolt, 3/4-10 x 1-1/4 HCS
29		500226	14	Lockwasher, 3/4
30		587019-1	1	Plate
31		6080613	6	SAE Washer, 3/8
32		589024	1	Hood
33		585389	1	Battery Box
34		500088	2	Bolt, 3/8-16 x 1 HCS
35		607474	1	Bolt, 3/8-16 x 1 GR8 HCS
36		5601975	12	SAE Washer, 1/4
37		585036	A/R	Hood Lace
38		607497	4	Nut, 1/2-13
39		580643	2	Cover
40		588051	1	Ball Hitch
41		7090	1	Mounting Plate, Winch
42		7395	1	Winch Assembly